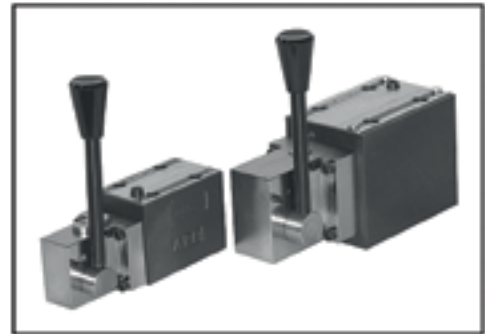


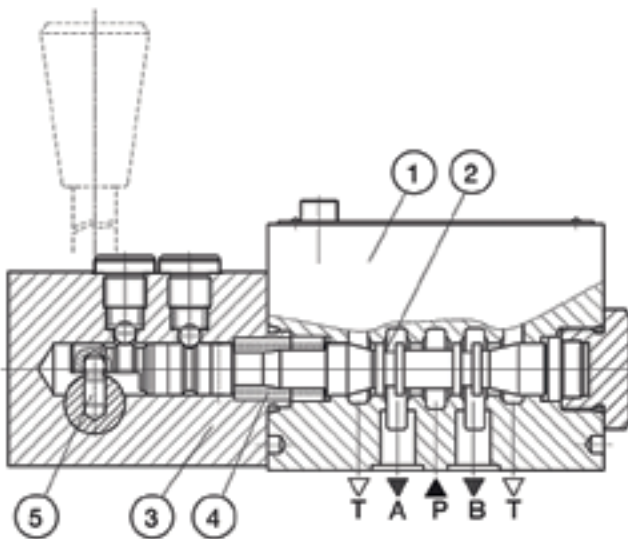
4/2, 4/3-WAY DIRECTIONAL VALVES

- NS 6, 10
- to 350 bar
- to 60 l/min, to 100 l/min
- Direct mechanical operation (by means of a lever)
- Connecting dimensions to ISO 4401



KV-4/3-5KO-6-R, KV-4/3-5KO-10-R

Description of operation



Directional valves type KV with direct mechanical operation by means of a lever control the direction of the hydraulic fluid medium flow.

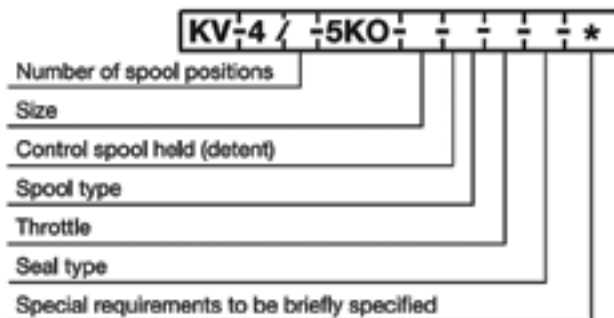
These directional valves consist of a housing (1), control spool (2), control mechanism (3), and return spring (4). In 4/3-way directional valves the centre position of the control spool is the neutral position. The change-over to one of the operating positions "a" or "b" is done by moving the operating pin lever (5) in such a manner that it acts on the control spool (2) so as to clear corresponding flow ways and establish relevant links between ports, A, B, P, and T.

On ceasing to apply force to the control mechanism (3), the return spring (4) push the control spool into the neutral position.

There are two types of operation:

- with control spool not held in the operating position (the control spool returns to neutral position on ceasing to apply force to the control mechanism - type KV-...-R)
- with control spool held (detent) in the operating position (the control spool remains in the operating position on ceasing to apply force to the control mechanism lever - type KV-...-RA).

Ordering code



Number of control spool position

- two positions = 2
- three positions = 3

Size

- size 6 = 6
- size 10 = 10

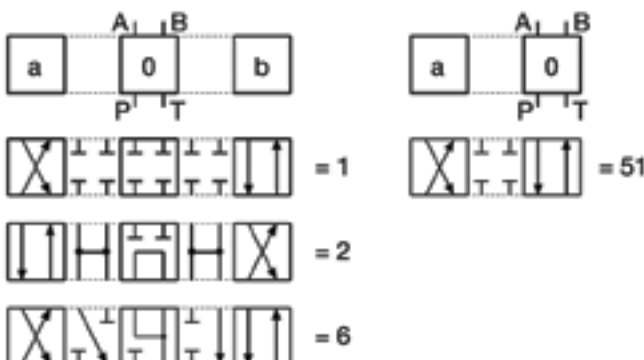
Throttle

- without throttle in "P" line = no desig.
- throttle 0,8 mm dia = D08
- throttle 1,0 mm dia = D10
- throttle 1,2 mm dia = D12

Seal type

- NBR seals for mineral oil HL, HLP to DIN 51524 = no desig.
- FPM seals for HETG, HEES, HEPG to VDMA 24568 = E and ISO 15380

Spool types



Control spool held

