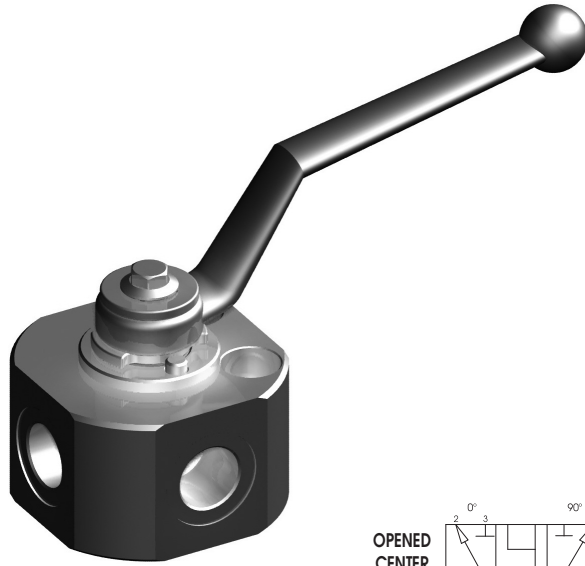


# Carbon Steel

# G3V 3 WAY DIVERTER VALVES



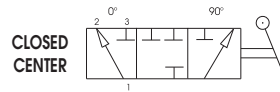
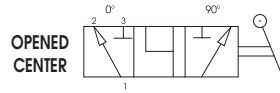
G3V G 1/2 CS

Type and way of valve  
G3V 3 way diverter valves

Valves dimension of inch

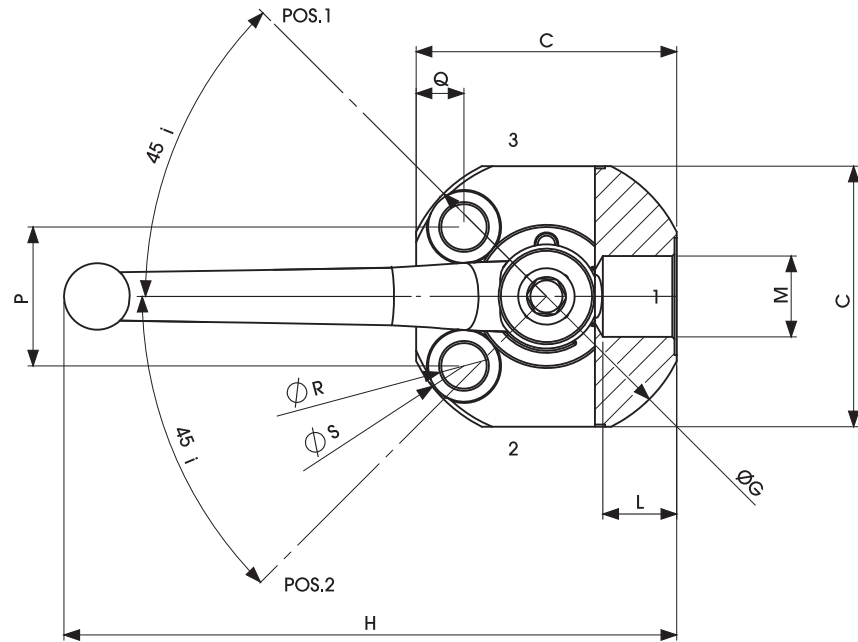
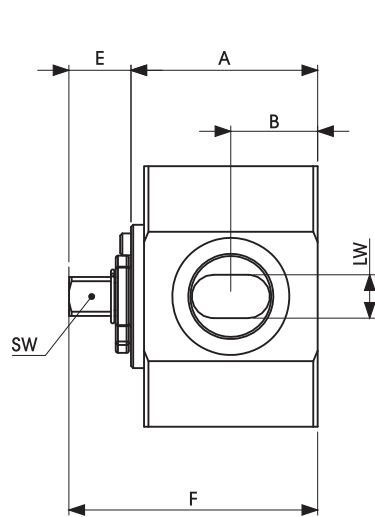
| GAS         | ANSI/ASME   | SAE     |
|-------------|-------------|---------|
| DIN/ISO 228 | B1.20.1 NPT | J1926-1 |
| G 1/8       | N 1/8       | SAE4    |
| G 1/4       | N 1/4       | SAE6    |
| G 3/8       | N 3/8       | SAE8    |
| G 1/2       | N 1/2       | SAE12   |
| G 3/4       | N 3/4       | SAE16   |
| G 1"        | N 1"        |         |

Material  
CS Carbon steel

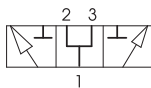


## Specifications

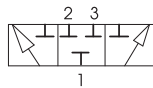
- Type: valve G3V
- Body: block
- Material: 1,0737
- Operating pressure: PN 500
- Temp range: -10°C to +100°C depending at material selected



WITH OPEN CENTRE



WITH CLOSED CENTRE



## G3V DIN ISO 228 BSP

Standard

| TYPE      | PN     | DN | A  | B    | C  | E    | F    | ØG  | H   | L    | LW | M     | P  | Q  | ØR   | ØS   | SW | WHEIGHT Kg | ITEM CODE       |
|-----------|--------|----|----|------|----|------|------|-----|-----|------|----|-------|----|----|------|------|----|------------|-----------------|
| G3V G 1/8 | 50 Mpa | 6  | 33 | 15   | 55 | 16   | 49   | Ø62 | 110 | 11   | 4  | G 1/8 | 26 | 10 | 8,5  | 13,5 | 9  | 0,672      | G3VGGT05011A000 |
| G3V G 1/4 | 50 Mpa | 6  | 33 | 15   | 55 | 16   | 49   | Ø62 | 110 | 15,5 | 6  | G 1/4 | 26 | 10 | 8,5  | 13,5 | 9  | 0,649      | G3VGGT15011A000 |
| G3V G 3/8 | 50 Mpa | 10 | 38 | 17,5 | 55 | 16   | 54   | Ø62 | 110 | 15,5 | 8  | G 3/8 | 26 | 10 | 8,5  | 13,5 | 9  | 0,716      | G3VGGT25011A000 |
| G3V G 1/2 | 50 Mpa | 13 | 43 | 20   | 60 | 16   | 59   | Ø67 | 110 | 17   | 11 | G 1/2 | 32 | 11 | 10,5 | 13,5 | 9  | 0,916      | G3VGGT35011A000 |
| G3V G 3/4 | 50 Mpa | 20 | 48 | 22,5 | 75 | 20,5 | 68,5 | Ø82 | 180 | 21   | 12 | G 3/4 | 32 | 14 | 10,5 | 16,5 | 14 | 1,569      | G3VGGT45011A000 |
| G3V G 1"  | 50 Mpa | 25 | 53 | 25   | 85 | 20,5 | 73,5 | Ø97 | 180 | 24   | 16 | G 1"  | 32 | 14 | 10,5 | 16,5 | 14 | 2,167      | G3VGGT55011A000 |