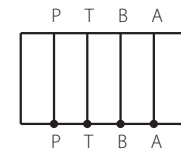
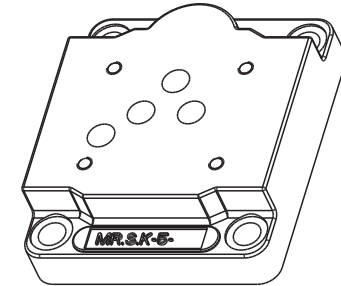
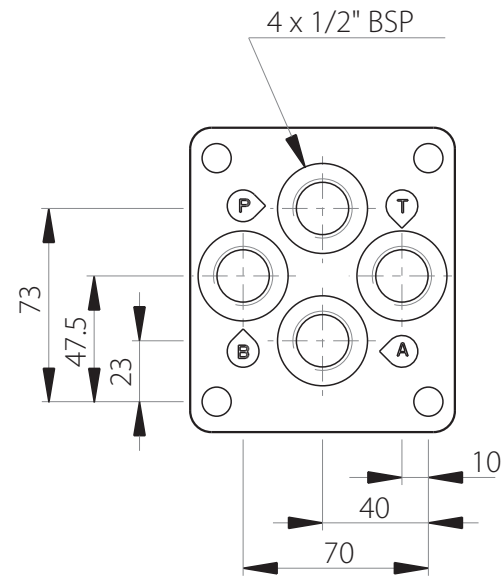
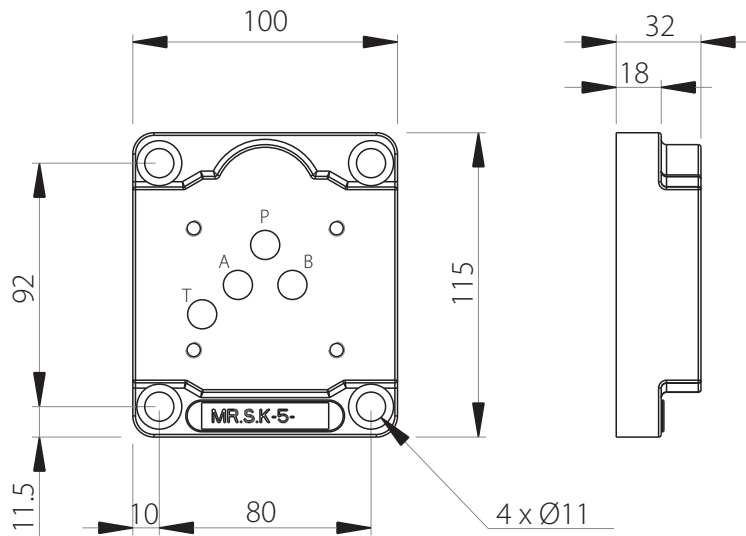
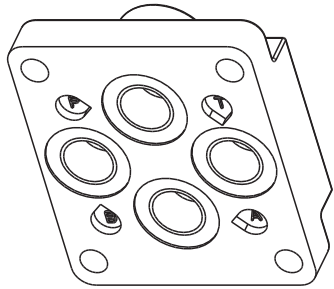


# MRSK5

Bottom ports subplate  
CETOP 5 / NG10



Technical specifications	
Material	GG40
Pressure	350 bar max
Flow rate	100 L/min max
Weight	1.9 kg

Designation code:

MR . S . K - 5 - 1/2" G

MECABOR

Subplate

Bottom ports

G : ports BSP

CETOP 5