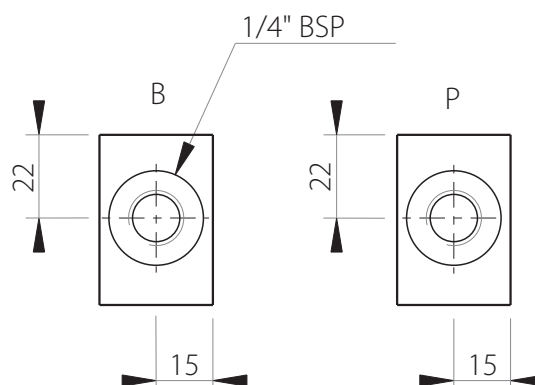
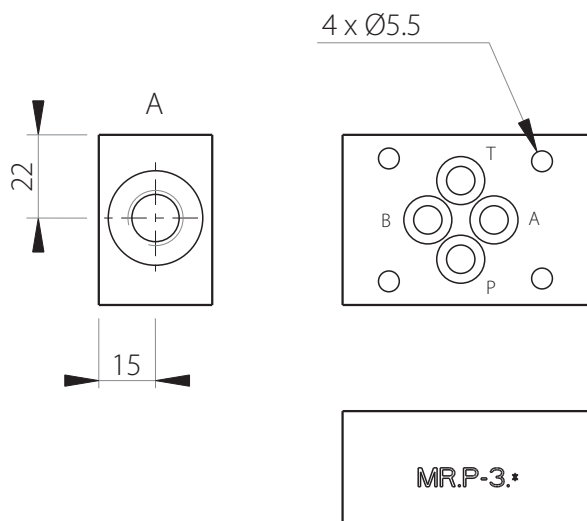
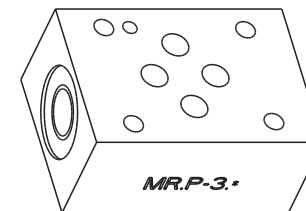
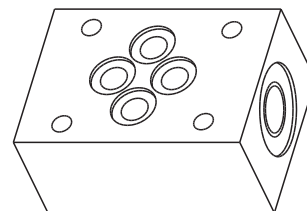
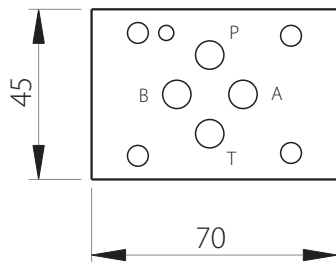
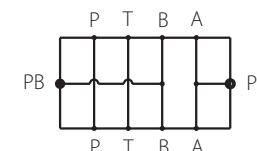


MRP3

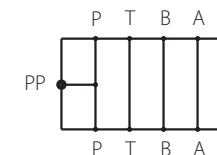
Sandwich plate for pressure test points
CETOP 3 / NG6



MR.P-3.AB



MR.P-3.P



Designation code: MR . P - 3 . * - 1/4" G

MECABOR

Sandwich plate for
pressure test points

CETOP 3

G : ports BSP

P = pressure test point on P

AB = pressure test points
on A and B

Technical specifications	
Material	EN1A
Pressure	400 bar max
Weight	0.64 kg
Supplied with seals	