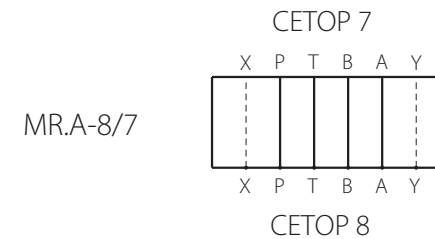
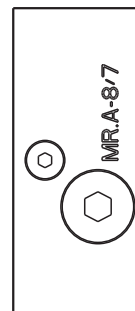
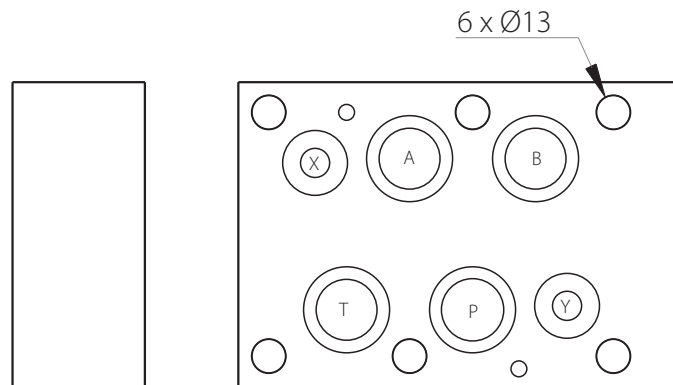
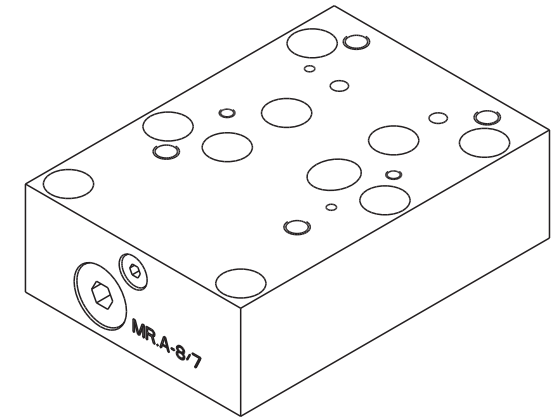
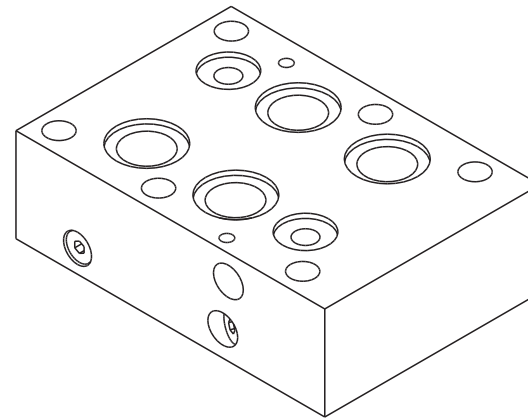
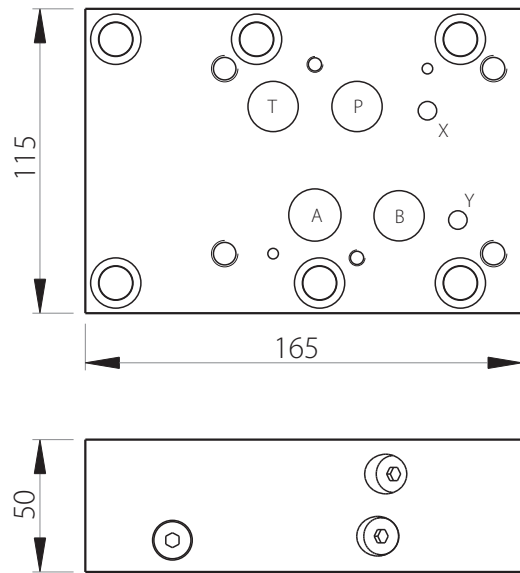


MRA-8/7

Adaptor plate Cetop 7 to Cetop 8
CETOP 8 / NG25



Technical specifications	
Material	EN1A
Pressure	400 bar max
Weight	6.30 kg
Supplied with seals and screws	

