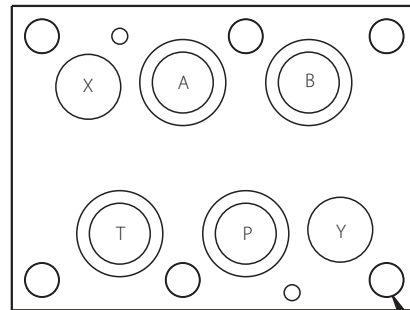
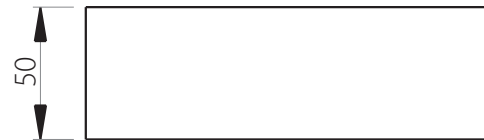
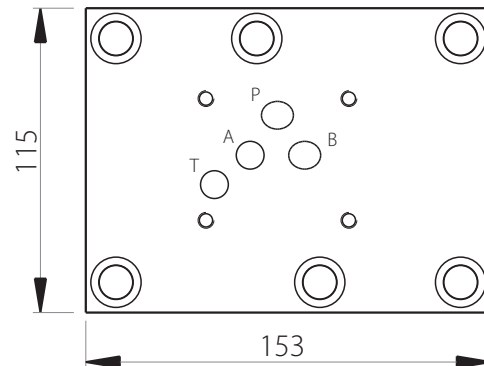
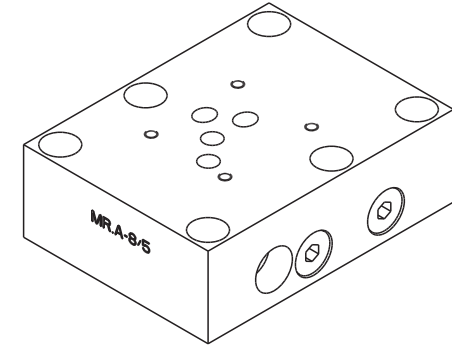
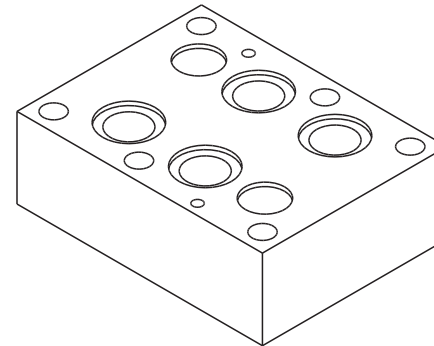
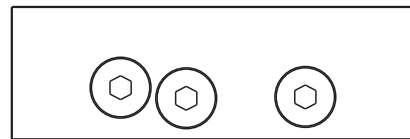


MRA-8/5

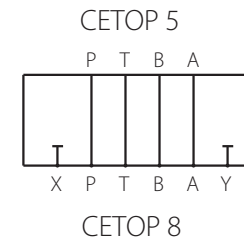
Adaptor plate Cetop 5 to Cetop 8
CETOP8 / NG25



6 x Ø13



MRA-8/5



Designation code :

MR . A - 8 / 5

MECABOR

Adaptor plate

CETOP 8

CETOP 5

Technical specifications

Material EN1A

Pressure 400 bar max

Weight 5.70 kg

Supplied with seals and screws