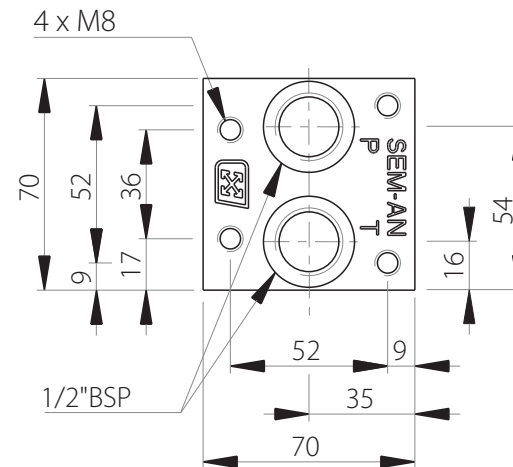
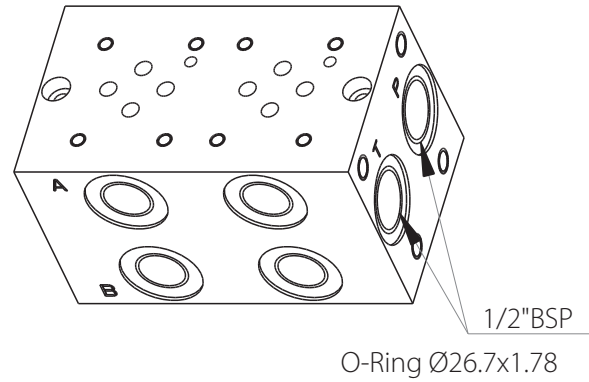
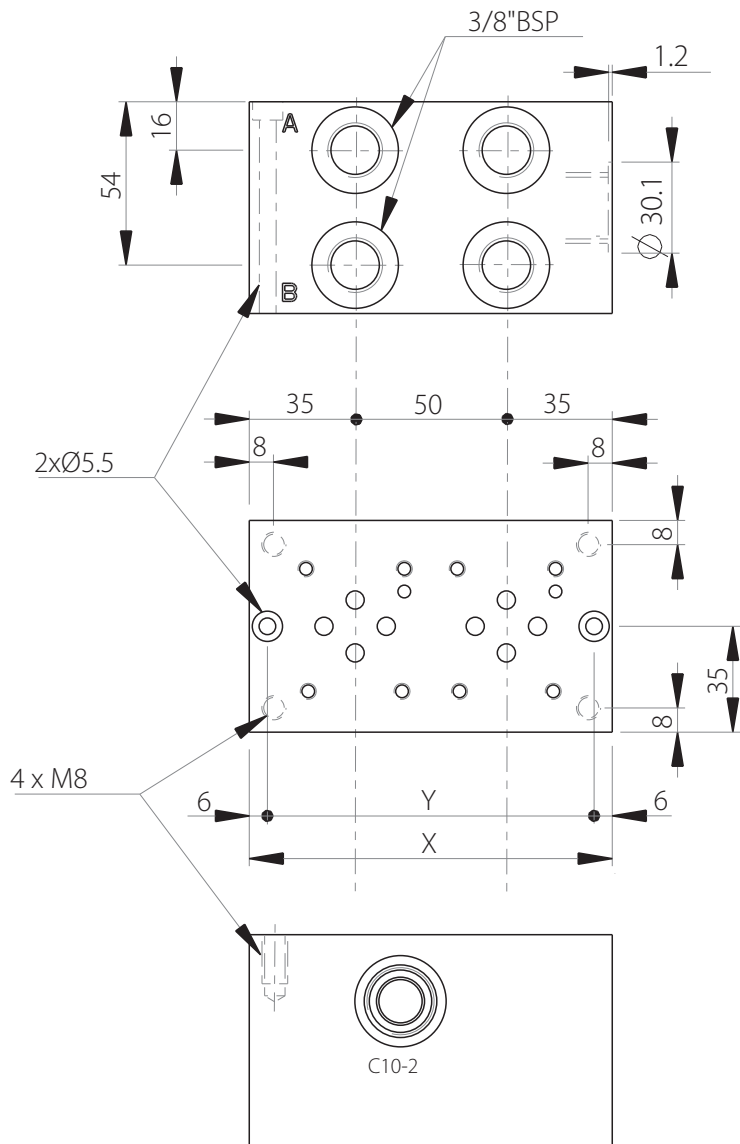
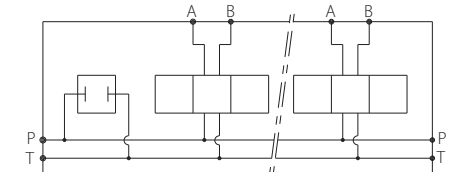
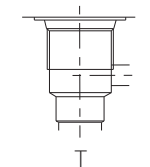


# MR3/C10-2

Side ports manifold + C10-2 cavity  
CETOP 3 / NG6



Cavity C10-2



Stations	X	Y	(kg)
1	90	78	2.90
2	120	108	3.80
3	170	158	5.30
4	220	208	6.80
5	270	258	8.30
6	320	308	9.80
7	370	358	11.30
8	420	408	12.80

## Technical specifications

Material	GGG250
Surface treatment	Protalloy – Zinc-Nickel Electroplating
Pressure	300 bar max
Flow rate	60 L/min max

Designation code : MR - 3 - \* . G / C10-2

MECABOR

CETOP 3  
side ports

Station number

Cavity

G : ports BSP