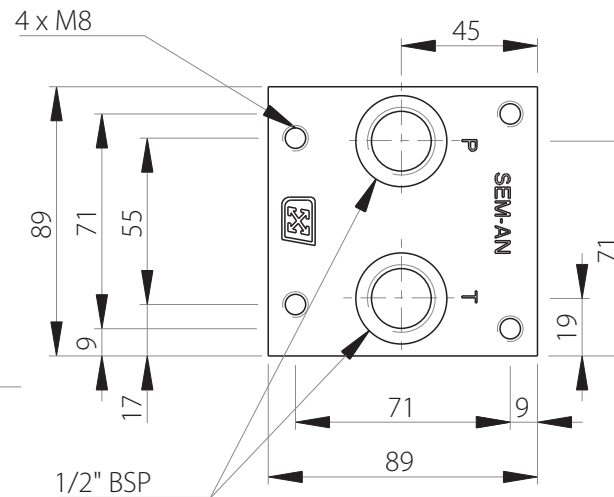
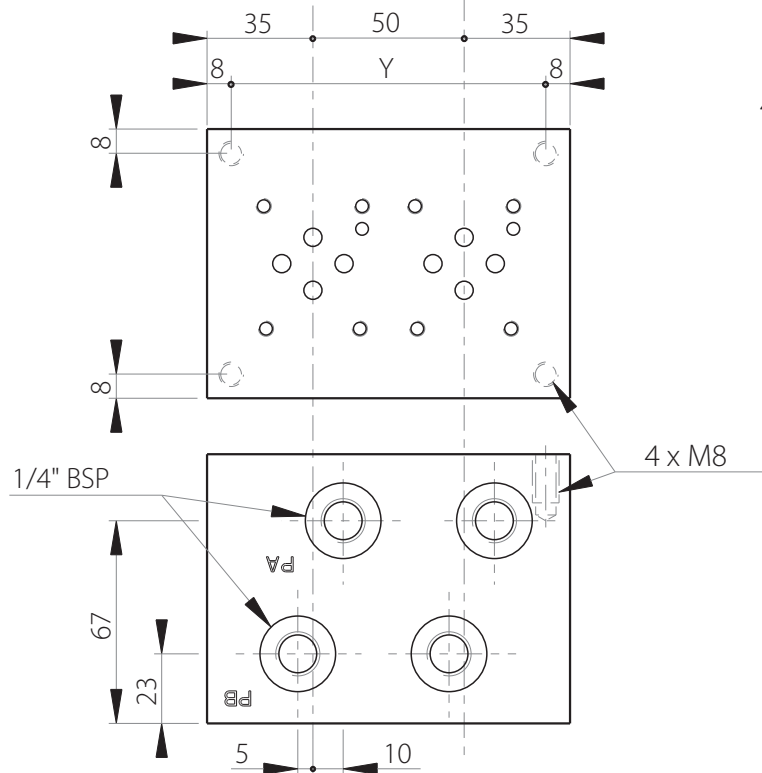
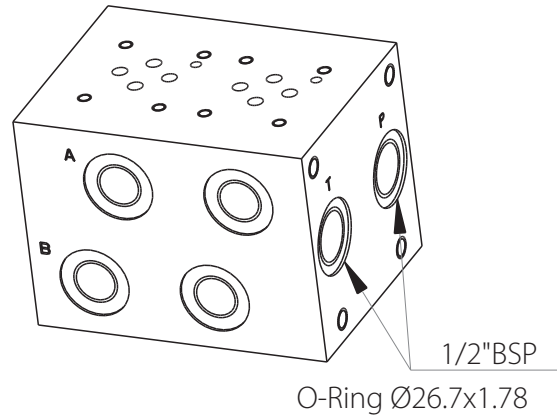
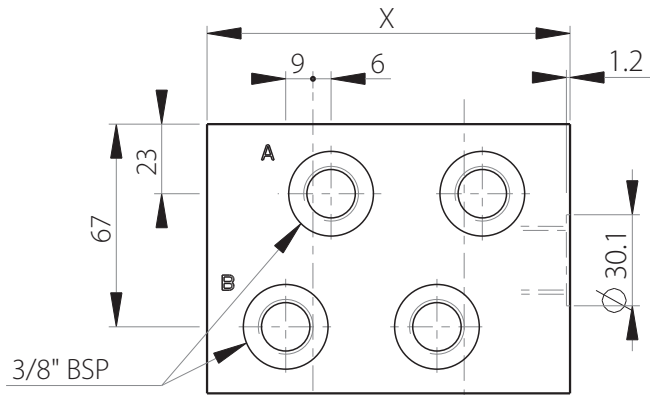
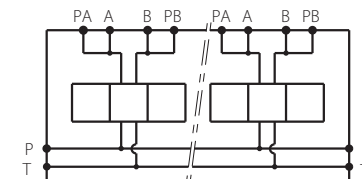


MR3-PAB

Side ports manifold
+ pressure test points on A and B
CETOP 3 / NG6



Stations	X	Y	(kg)
1	70	54	3.50
2	120	104	6.00
3	170	154	8.50
4	220	204	11.00
5	270	254	13.50
6	320	304	16.00
7	370	354	18.50
8	420	404	21.00



Technical specifications

Material	GGG250
Surface treatment	Protalloy – Zinc-Nickel Electroplating
Pressure	300 bar max
Flow rate	50 L/min max

Designation code: MR - 3 - * . G . P . AB

MECABOR

CETOP 3
side ports

Station number

Pressure test points
on A and B

G : ports BSP