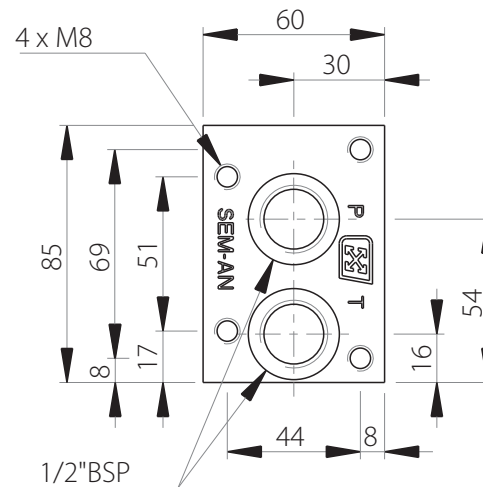
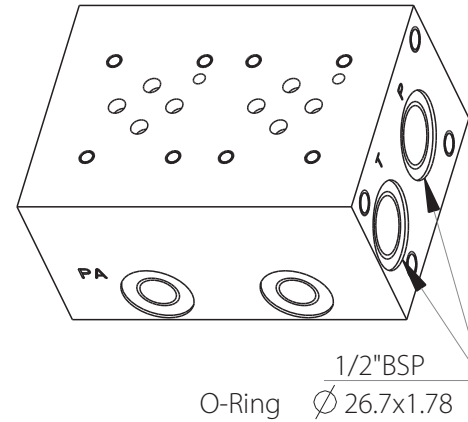
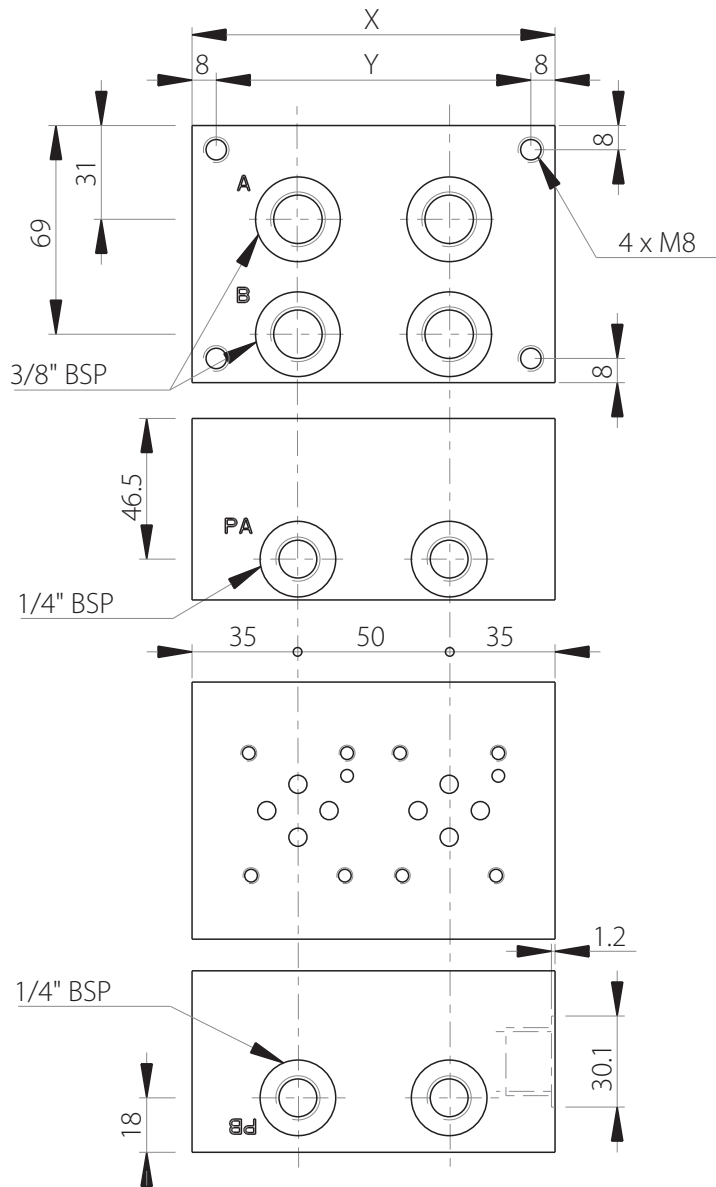
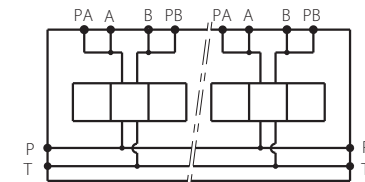


MRK3-PAB

Bottom ports manifold
+ pressure test points on A and B
CETOP 3 / NG6



Stations	X	Y	(kg)
1	70	54	2.35
2	120	104	3.90
3	170	154	5.45
4	220	204	7.00
5	270	254	8.55
6	320	304	10.10
7	370	354	11.65
8	420	404	13.20



Technical specifications

Material	GGG250
Surface treatment	Protalloy - Zinc-Nickel Electroplating
Pressure	300 bar max
Flow rate	50 L/min max

Designation code:

MR . K - 3 - * . G . P . AB

MECABOR

Bottom ports

CETOP 3

Station number

Pressure test points
on A and B

G : ports BSP