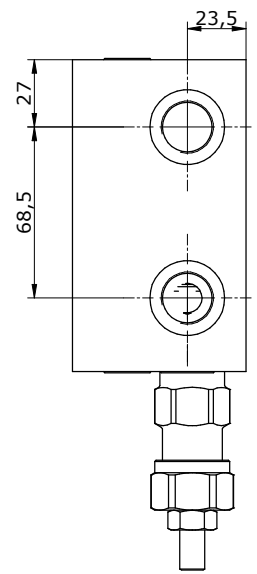
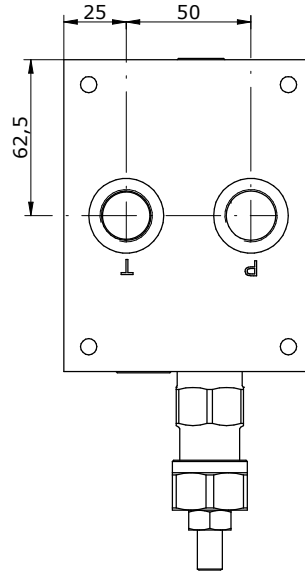
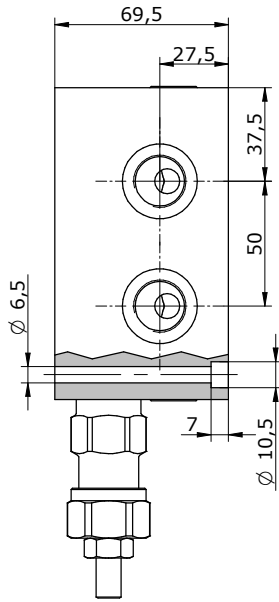
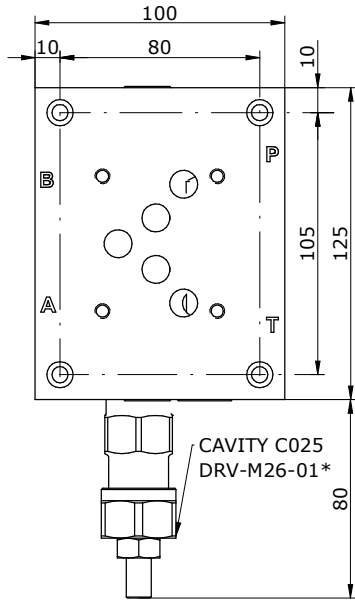
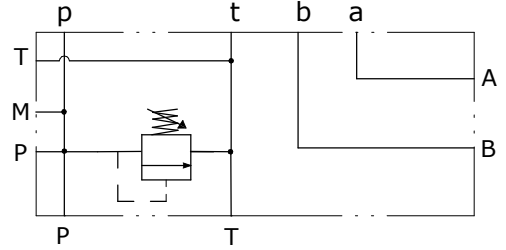
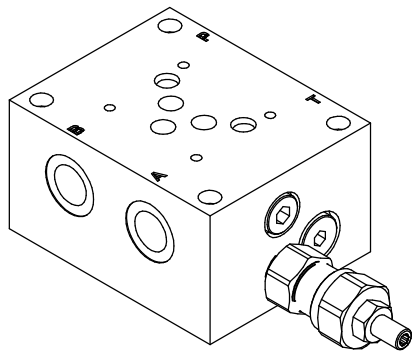


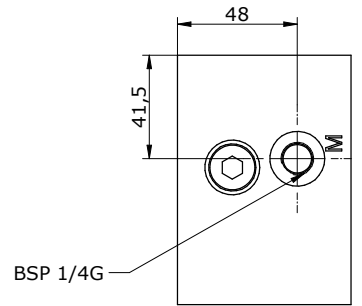
Schema idraulico
Hydraulic diagram



TIPI DI REGOLAZIONE

REGULATION TYPE

	H	VITE CON CHIAVE ESAGONALE(standard) HEXAGONAL HEAD SCREW
	K	POMOLO KNOB
	C	FISSA CON CAPPUCCIO COVER CAP
	I	INVIOLABILE NON ADJUSTABLE



E_ 10 - 09 - _____

S = STEEL
A = ALUMINIUM

12 = BSP 1/2G
34 = BSP 3/4G

0 = WITHOUT RELIEF VALVE (PLUGGED CAVITY)
1 = WITH RELIEF VALVE
2 = RELIEF VALVE READY

0 = WITHOUT RELIEF VALVE
H = HEXAGONAL HEAD SCREW
K = KNOB
C = COVER CAP
I = NOT ADJUSTABLE

0 = WITHOUT RELIEF VALVE
1 = 5-55 bar
2 = 25-110 bar
3 = 75-250 bar

*see **CARTRIDGE VALVES** datasheets