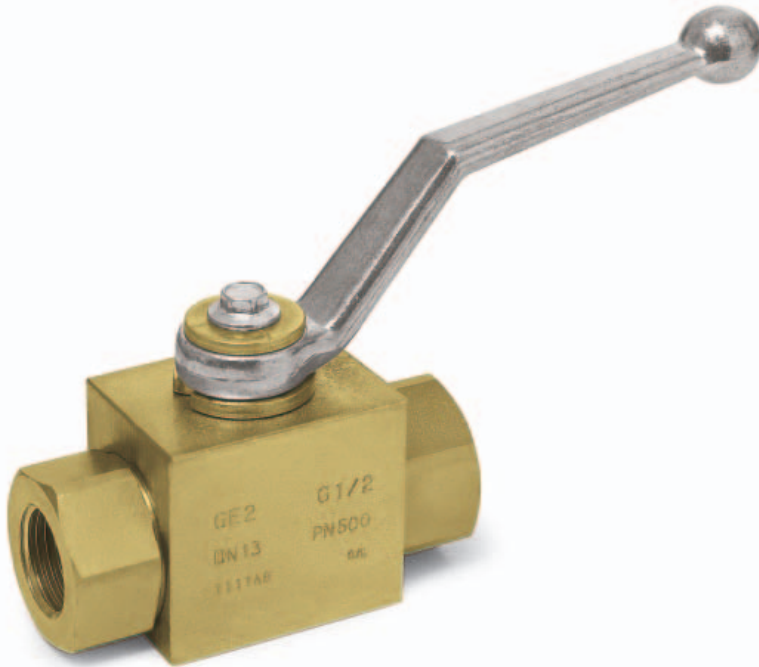


GE2 PN 500

2-WAY HIGH PRESSURE BALL VALVES

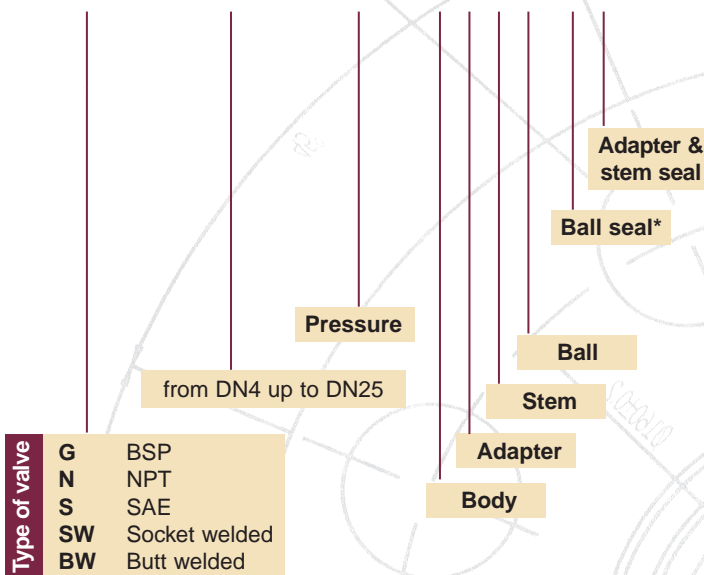


SPECIFICATIONS

• Type	ball valve GE 2way
• Body	block
• Material	AISI 12L14
• Size	from DN4 up to DN25
• O-Rings	NBR, FPM, MQV, EPDM, FFKM
• Operating pressure	500 Bar depending on valve size and seal materials selected
• Temp range	-10°C to +100°C depending on seal material selected

MODEL CODE

GE2 G 1/2 DN13 PN500 1 1 1 1 A B



MATERIAL CLASSIFICATION

N.	DIN	W.Nr	AISI	ASTM
1	9 SMn Pb 36	1.0737	12L14	-
2	St 52-3	1.0570	-	A105
3	X12 CrNiS 18 8	1.4305	303	-
4	X2 CrNiMo 18 12	1.4435	316L	-
5	X20 Cr 13	1.4021	420	-
6	X5 CrNi 18 9	1.4301	304	-

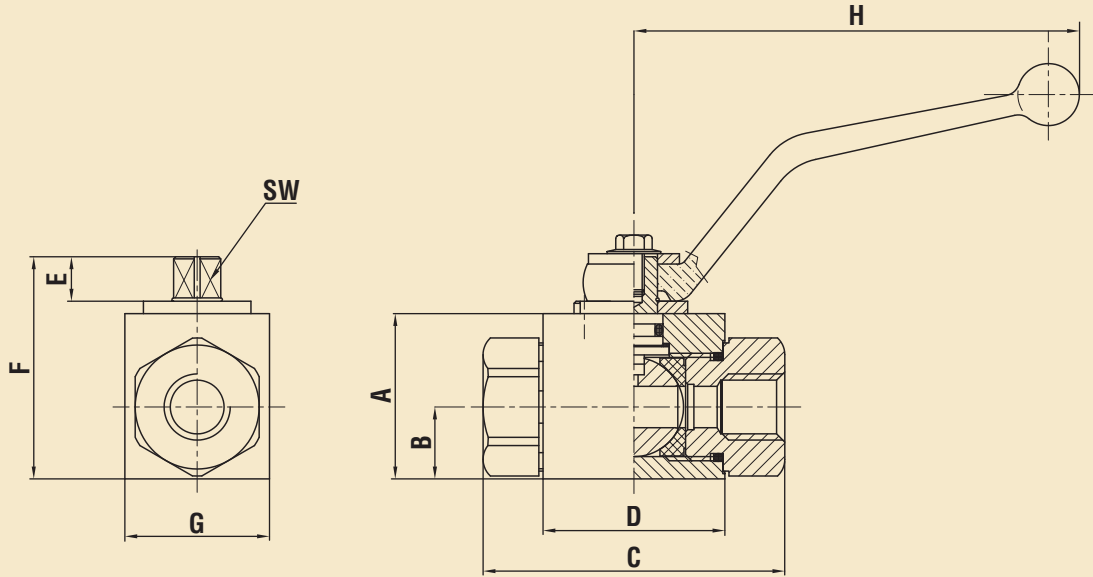
SEAL CLASSIFICATION

A	POM	G	PA 612
B	NBR70 (BUNA)	K	GEMPTFE
C	RPTFE	H	PCTFE
D	PEEK	I	KARLEZ®
E	FKM	L	MVQ (silicon)
F	EPDM	M	Metal to Metal

*For the complete list of plastic material compatibility see pp. 40.6

2-WAY HIGH PRESSURE BALL VALVES

TECHNICAL DRAWING

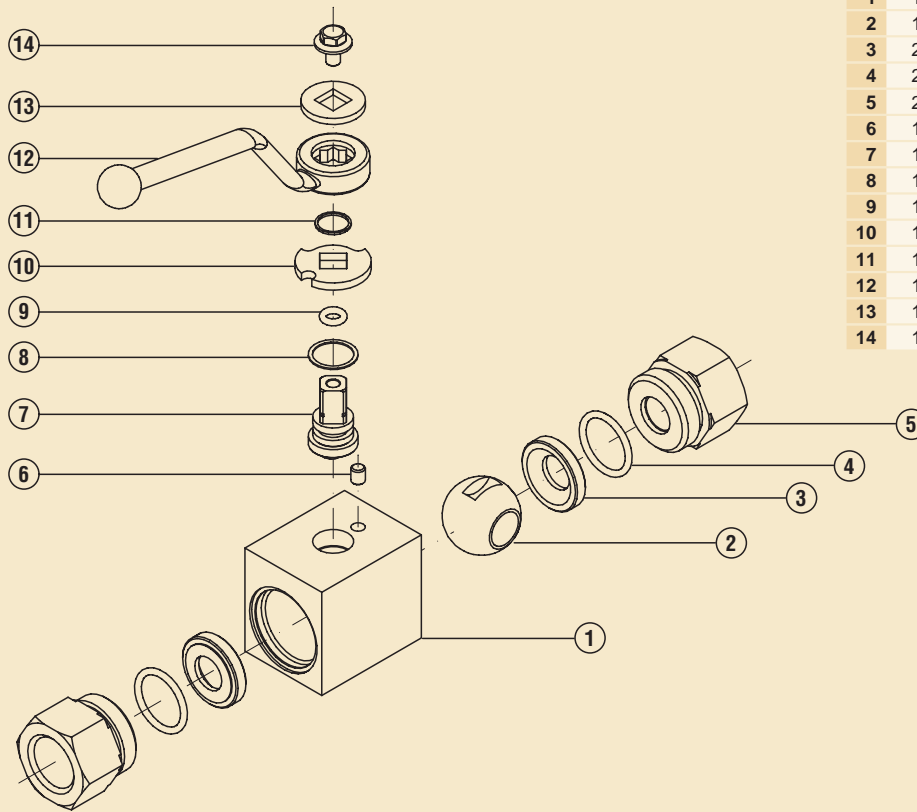


	TYPE	PN	DN	A	B	C	D	E	F	G	H	L	M	SW	LW	Kg	Item Code
	GE2 G 1/8	500 bar	4	35	14	71	42	11	49	30	110	11	G 1/8	9	4	0.50	GE2GGT05011A000
	GE2 G 1/4	500 bar	6	35	14	71	42	11	49	30	110	16	G 1/4	9	6	0.50	GE2GGT15011A000
	GE2 G 3/8	500 bar	10	40	17	73	44	11	54	35	110	16	G 3/8	9	10	0.65	GE2GGT25011A000
	GE2 G 1/2	500 bar	13	43	18	83	48	11	57	37	110	17	G 1/2	9	13	0.75	GE2GGT35011A000
	GE2 G 3/4	400 bar	20	55	23	95	63	13	73	45	180	21	G 3/4	14	20	1.40	GE2GGT44011A000
	GE2 G 1"	350 bar	25	65	29	112	67	13	83	55	180	24	G 1"	14	25	2.20	GE2GGT53011A000
	GE2 G 1 1/4	350 bar	25	65	29	120	67	13	83	55	180	24	G 1 1/4	14	25	2.25	GE2GGT63021A000
	GE2 G 1 1/2	350 bar	25	65	29	124	67	13	83	55	180	24	G 1 1/2	14	25	2.35	GE2GGT73021A000

	TYPE	PN	DN	A	B	C	D	E	F	G	H	L	M	SW	LW	Kg	Item Code
	GE2 N 1/8	7250 psi	4	35	14	71	42	11	49	30	110	11	N 1/8	9	6	0.50	GE2NNT05011A000
	GE2 N 1/4	7250 psi	6	35	14	71	42	11	49	30	110	16	N 1/4	9	6	0.50	GE2NNT15011A000
	GE2 N 3/8	7250 psi	10	40	17	73	44	11	54	35	110	16	N 3/8	9	10	0.65	GE2NNT25011A000
	GE2 N 1/2	7250 psi	13	43	18	83	48	11	57	37	110	17	N 1/2	9	13	0.75	GE2NNT35011A000
	GE2 N 3/4	5800 psi	20	55	23	95	63	13	73	45	180	21	N 3/4	14	20	1.40	GE2NNT44011A000
	GE2 N 1"	5075 psi	25	65	29	112	67	13	83	55	180	24	N 1"	14	25	2.20	GE2NNT53011A000
	GE2 N 1 1/4	5075 psi	25	65	29	120	67	13	83	55	180	24	N 1 1/4	14	25	2.25	GE2NNT63021A000
	GE2 N 1 1/2	5075 psi	25	65	29	124	67	13	83	55	180	24	N 1 1/2	14	25	2.35	GE2NNT73021A000

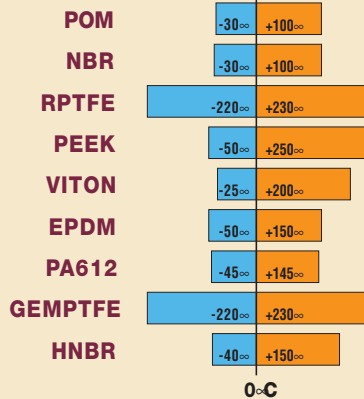
2-WAY HIGH PRESSURE BALL VALVES

EXPLODED DRAWING



1	1	Body 1/2 GE	Fe42/A105
2	1	Ball 1/2 GE	1.0737
3	2	Seal ball 1/2 GE	POM
4	2	O-ring	NBR
5	2	Adapter 1/2 Gas GE	1.0737
6	1	Spine	1.0737
7	1	Stem 1/2 GE	1.0737
8	1	Seal-stem	POM
9	1	O-ring	NBR
10	1	Washer	Fe37
11	1	Seeger	UNI 3545
12	1	Handle SW9 GE	ZAMA
13	1	Washer	Fe37
14	1	Screw	1.0737

MAXIMUM AND MINIMUM ADMISSIBLE WORKING TEMPERATURES FOR SEAL



CAPACITY COEFFICIENT

Test with water at 20°C

DN FB	Cv / G.P.M.	Kv / m³h
6	5	4.27
10	7	6
13	35	30.2
20	61	53.7
25	105	90.66
32	210	179.5
40	285	245.2
50	425	364.52
65	750	645.4
80	1038	889.5
100	NR	NR

ON REQUEST

- Reduced bore
 - O-Ring in EPDM, FFKM, MQV
 - Seals in POM, PEEK, PA 612, RPTFE, GEMPTFE
 - Special Threads
 - Body in AISI 316L
 - Ball in AISI 316
 - Pressure Class PN 100 to PN 500
 - Actuator
 - Security block
 - Locking device
- For further special requests please consult our technical/commercial service