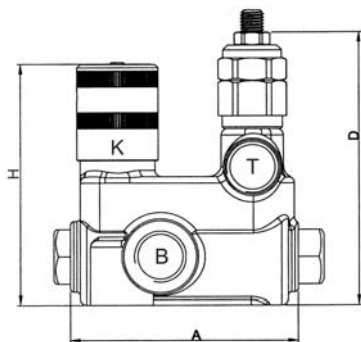
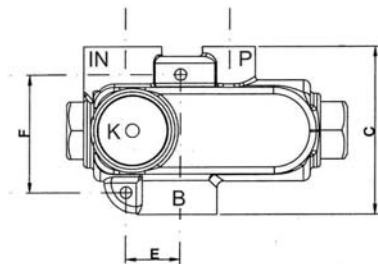
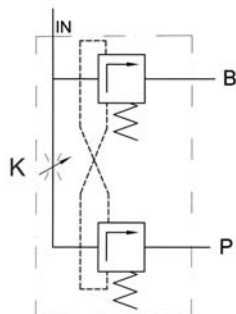
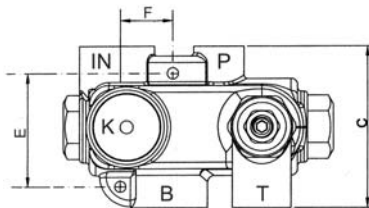
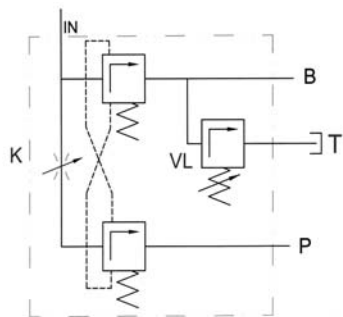


RFP



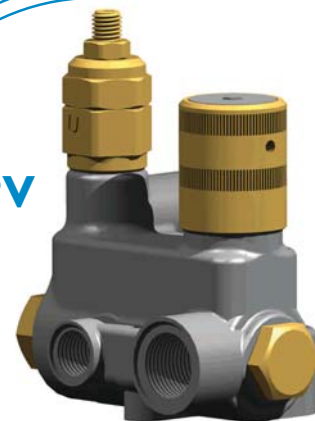
RFPV



RFP 40



RFPV



Codice	Modello	Filettature Threds				Ritorno Tanch	A	C	D	E	F	H	Portata max (l/min) Max flow (l/min)	Pressione max Max Pressure	Taratura standard VL (Q=5 l/min) Standard setting VL (Q=5 l/min)	Campo di taratura Pressure Setting range
		Entrata Inlet IN	Prioritario Priority flow P	Eccedente Exces flow B			mm									
Code	Model				T	A	C	D	E	F	H					
030320	RFP 40 G	1/2" GAS	3/8" GAS	1/2" GAS		87	65	53	46	22,5	98	40	250 bar			
030322	RFP 70 G	3/4" GAS	1/2" GAS	3/4" GAS		106	80	105	52	24,5	101	80	250 bar			
030033	RFP 150 G	1" GAS	3/4" GAS	1" GAS								150	250 bar			
030017	RFPV 40 GX	1/2" GAS	3/8" GAS	1/2" GAS	3/8" GAS	87	65	67	46	22,5	98	40	250 bar	70 bar	10÷100 bar	
030321	RFPV 40 GU	1/2" GAS	3/8" GAS	1/2" GAS	3/8" GAS	87	65	67	46	22,5	98	40	250 bar	140 bar	50÷230 bar	
030019	RFPV 40 GK	1/2" GAS	3/8" GAS	1/2" GAS	3/8" GAS	87	65	67	46	22,5	98	40	250 bar	200 bar	100÷250 bar	
030018	RFPV 70 GX	3/4" GAS	1/2" GAS	3/4" GAS	1/2" GAS	106	80	128	52	24,5	101	80	250 bar	70 bar	10÷100 bar	
030323	RFPV 70 GU	3/4" GAS	1/2" GAS	3/4" GAS	1/2" GAS	106	80	128	52	24,5	101	80	250 bar	140 bar	50÷230 bar	
030020	RFPV 70 GK	3/4" GAS	1/2" GAS	3/4" GAS	1/2" GAS	106	80	128	52	24,5	101	80	250 bar	200 bar	100÷250 bar	