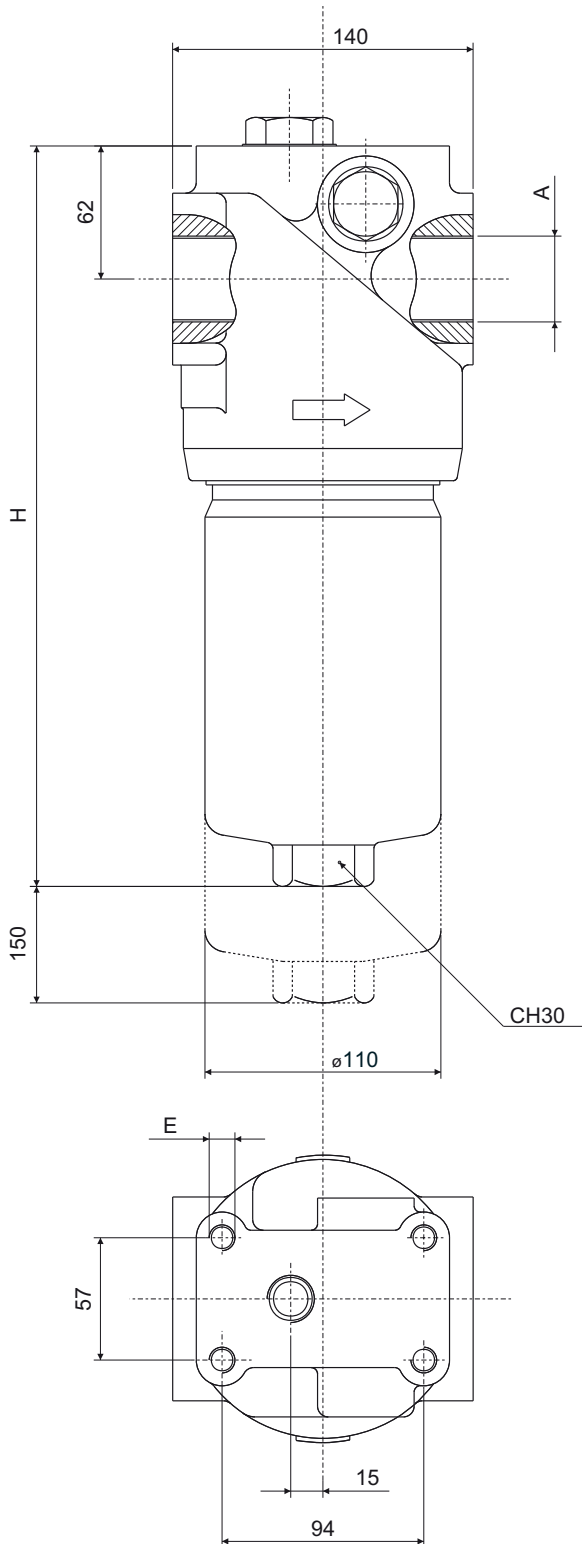


le portate sono state calcolate per ottenere una perdita di carico $\Delta p \leq 120.000 \text{ Pa}$ (1.2 bar) con olio minerale avente viscosità cinematica 30 cst e densità 860 kg/m^3 . (vedi note a pag. 10)

Flows have been calculated just in order to obtain a pressure drop $\Delta p \leq 120.000 \text{ Pa}$ (1.2 bar) With mineral oil kinematic viscosity 30 cst and 860 kg/m^3 density. (See remarks on page 10)

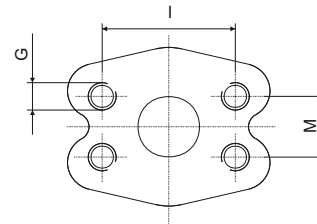


ATTACCHI FILETTATI THREADED CONNECTIONS

Tipo / Type	A	E (prof. 15mm) E (depth 15mm)
1	1" BSP	M 12
2	1 1/4" BSP	M 12
3	1 1/2" BSP	M 12
4	1" NPT	1/2" UNC
5	1 1/4" NPT	1/2" UNC
6	1 1/2" NPT	1/2" UNC
7	SAE20 - 1 5/8" - 12UN	1/2" UNC
14	SAE24 - 1 7/8" - 12UN	1/2" UNC
15	1" BSPT	M 12
16	1 1/4" BSPT	M 12

ATTACCHI FLANGIATI FLANGED CONNECTIONS

Tipo Type	Attacco-Connection	I	M	G	E (prof. 15mm) E (depth 15mm)
8	1 1/4" SAE - 3000PSI/M	58.7	30.2	M 10	M 12
9	1 1/2" SAE - 3000 PSI/M	70	35.7	M 10	M 12
10	1 1/4" SAE - 3000 PSI/UNC	58.7	30.2	7/16" UNC	1/2" UNC
11	1 1/2" SAE - 3000 PSI/UNC	70	35.7	1/2" UNC	1/2" UNC
12	1 1/4" SAE - 6000 PSI/M	66.7	31.6	M 14	M 12
13	1 1/4" SAE - 3000 PSI/UNC	66.7	31.6	1/2" UNC	1/2" UNC



LUNGHEZZE - LENGTHS

Tipo Type	H (mm)	Lunghezza OMT Length OMT	Lunghezza Pall Length Pall
1	273	HPM621..	HPM625..
2	393	HPM622..	HPM626..
3	533	HPM623..	HPM627..
4	673	HPM624..	HPM628..

PORTATE CONSIGLIATE RECOMMENDED FLOWS

(Elementi in microfibra - Glass fibre elements)

HPM	Elemento filtrante Replace element	Portata (L/min) serie X Flow (L/min) X series	Portata (L/min) serie Y Flow (L/min) Y series	Peso (Kg) Weight (Kg)
621	F03	110	70	13
621	F06	125	80	13
621	F10	145	105	13
621	F25	190	155	13
622	F03	206	145	16,7
622	F06	250	180	16,7
622	F10	300	220	16,7
622	F25	345	245	16,7
623	F03	250	225	20,5
623	F06	290	260	20,5
623	F10	330	290	20,5
623	F25	375	365	20,5
624	F03	285	240	24
624	F06	330	265	24
624	F10	360	310	24
624	F25	410	345	24